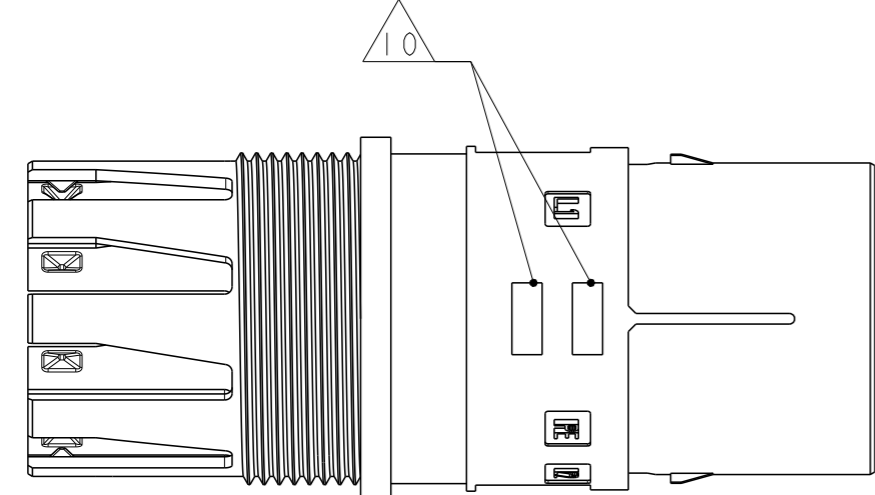
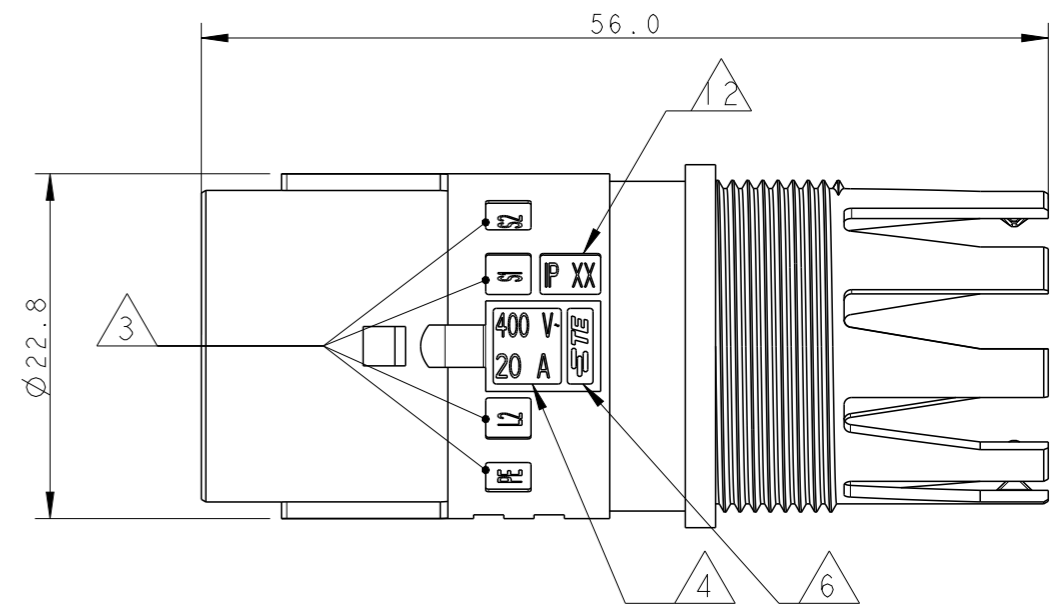
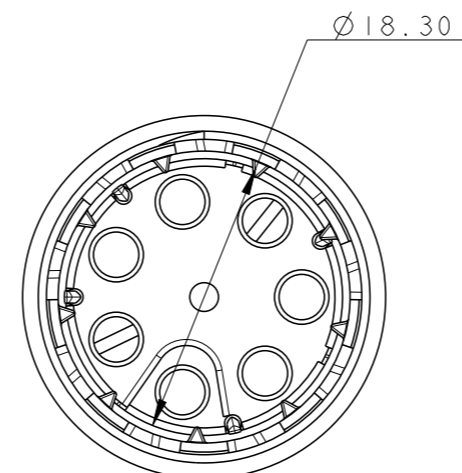
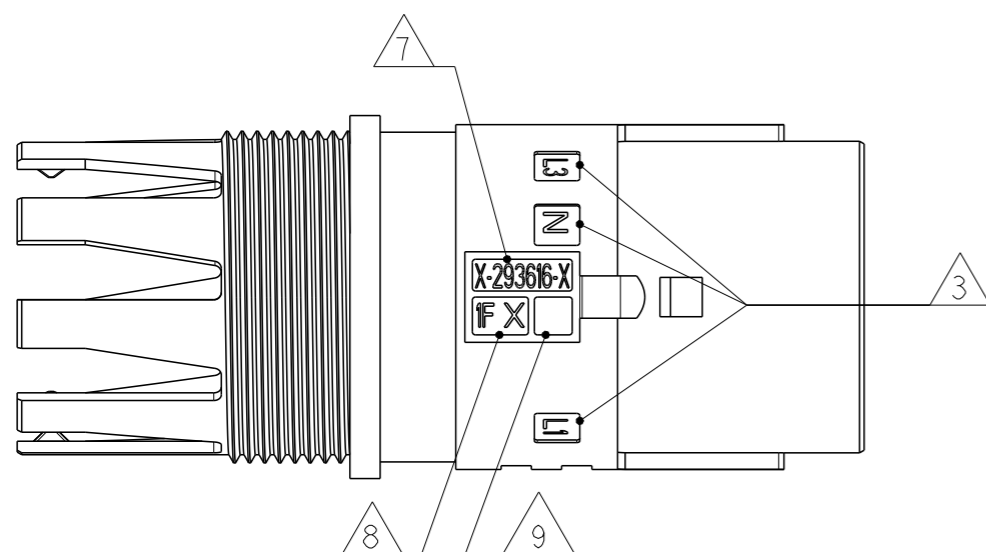
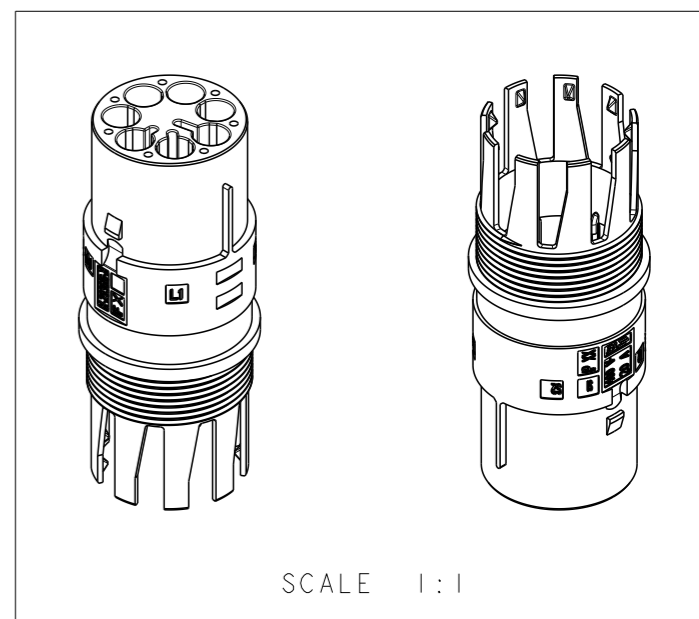
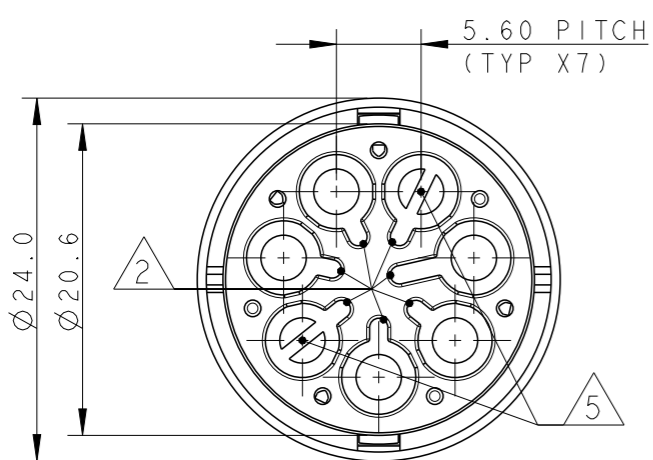



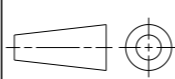
P	LTR	DESCRIPTION	DATE	DWN	APVD
4		REVISED	02MAY13	KR	JC
5		UPDATED	22JUL2013	MZ	JC
6		REVISED LATCH SHAPE	09AUG2013	KR	JC
A		PARTS RELEASED FOR PRODUCTION	12NOV2013	MZ	JC



NOTES:

- 1 MATERIAL: PA GF (NATURAL AND BLACK COLOUR)
  - 2 ALL POLARIZATION KEYS SHOWN FOR REF ONLY
  - 3 WAYS I.D.
  - 4 VOLTAGE AND CURRENT RATINGS
  - 5 RIB CLOSING CAVITIES BY CHANGE OVER
  - 6 TE LOGO
  - 7 TE PART NUMBER
  - 8 DATA CODE AND CAVITY I.D.
  - 9 AREA FOR AGENCIES APPROVAL LOGO
  - 10 VISUAL INDOCATOR FOR PE CONDUCTOR
- 11) SEE C-DRAWING 293682 (LOCKING CAP) TO GET IP 40
- 12 IP CODE
  - 13 POLARISATION KEY "TYPE D" SUITABLE FOR DALI APPLICATION



THIS DRAWING IS A CONTROLLED DOCUMENT.		DWN M. ZUCCA 31MAR2011	 <b>TE Connectivity</b>	
DIMENSIONS: mm		CHK M. ZUCCA 31MAR2011		
TOLERANCES UNLESS OTHERWISE SPECIFIED:		APVD G. TURCO 31MAR2011	NAME PIN HOUSING FREE HANGING NECTOR* M-LINE 5 POLES UNSEALED VERSION	
		PRODUCT SPEC -	RESTRICTED TO	
MATERIAL -		FINISH -	APPLICATION SPEC -	SIZE A3
		WEIGHT -	00779	CAGE CODE G-293616
		Customer Drawing	DRAWING NO G-293616	SCALE 2:1
				SHEET 1 OF 2
				REV A

THIS DRAWING IS UNPUBLISHED.

RELEASED FOR PUBLICATION

2011

© COPYRIGHT 2011

ALL RIGHTS RESERVED.

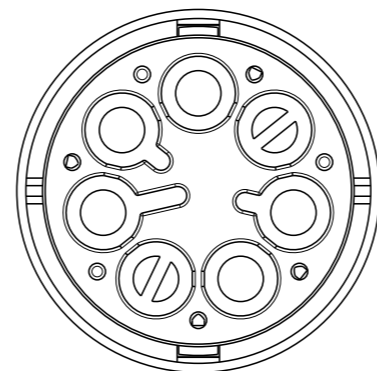
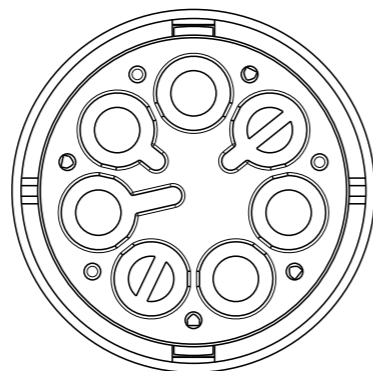
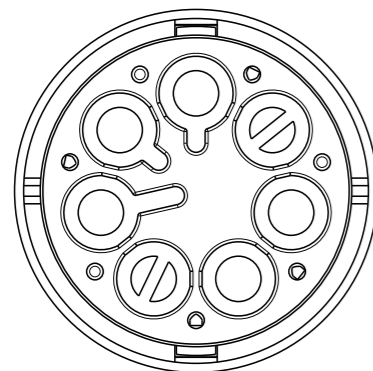
LOC	DIST	REVISIONS			
P	LTR	DESCRIPTION	DATE	DWN	APVD
	-	SEE SHEET 1	-	-	-

POLARIZATION TYPES

POLARIZATION TYPE "A"

POLARIZATION TYPE "B"

POLARIZATION TYPE "C"



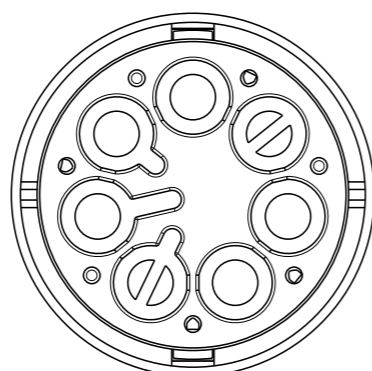
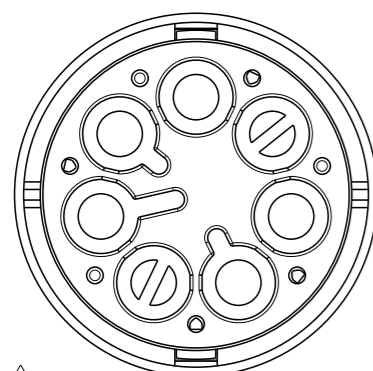
PNs 0-293616-1  
AND 0-293616-1

PNs 0-293616-2  
AND 0-293616-2

PNs 0-293616-3  
AND 0-293616-3

POLARIZATION TYPE "D"

POLARIZATION TYPE "E"



PNs 0-293616-4  
AND 0-293616-4

PNs 0-293616-5  
AND 1-293616-5

	E	BLACK	PIN HOUSING FREE HANG. NECTOR* M-LINE 5 POLES	A	1-293616-5
	D	BLACK	PIN HOUSING FREE HANG. NECTOR* M-LINE 5 POLES	A	1-293616-4
	C	BLACK	PIN HOUSING FREE HANG. NECTOR* M-LINE 5 POLES	A	1-293616-3
	B	BLACK	PIN HOUSING FREE HANG. NECTOR* M-LINE 5 POLES	A	1-293616-2
	A	BLACK	PIN HOUSING FREE HANG. NECTOR* M-LINE 5 POLES	A	1-293616-1
	E	NATURAL	PIN HOUSING FREE HANG. NECTOR* M-LINE 5 POLES	A	0-293616-5
	D	NATURAL	PIN HOUSING FREE HANG. NECTOR* M-LINE 5 POLES	A	0-293616-4
	C	NATURAL	PIN HOUSING FREE HANG. NECTOR* M-LINE 5 POLES	A	0-293616-3
	B	NATURAL	PIN HOUSING FREE HANG. NECTOR* M-LINE 5 POLES	A	0-293616-2
	A	NATURAL	PIN HOUSING FREE HANG. NECTOR* M-LINE 5 POLES	A	0-293616-1
NOTE	POL. KEYING	COLOUR	DESCRIPTION	REV.	PART NUMBER

THIS DRAWING IS A CONTROLLED DOCUMENT.

DIMENSIONS: mm	TOLERANCES UNLESS OTHERWISE SPECIFIED:
	0 PLC ± 1 PLC ±0.3 2 PLC ±0.20 3 PLC ± 4 PLC ± ANGLES ±3°
MATERIAL	FINISH

DWN	M. ZUCCA	31MAR2011
CHK	M. ZUCCA	31MAR2011
APVD	G. TURCO	31MAR2011
PRODUCT SPEC		
APPLICATION SPEC		
WEIGHT		

				TE Connectivity	
NAME PIN HOUSING FREE HANGING NECTOR* M-LINE 5 POLES UNSEALED VERSION					
SIZE	CAGE CODE	DRAWING NO	RESTRICTED TO		
A3	00779	C-293616			

Customer Drawing	SCALE 2:1	SHEET 2 OF 2	REV A
------------------	-----------	--------------	-------